

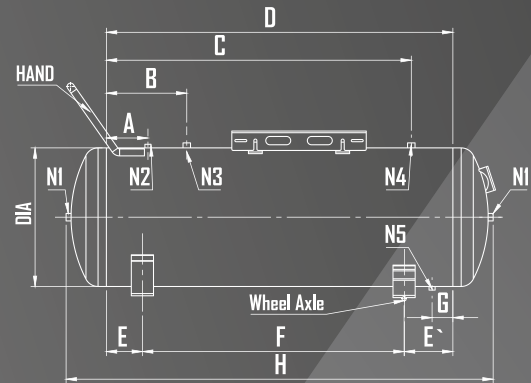
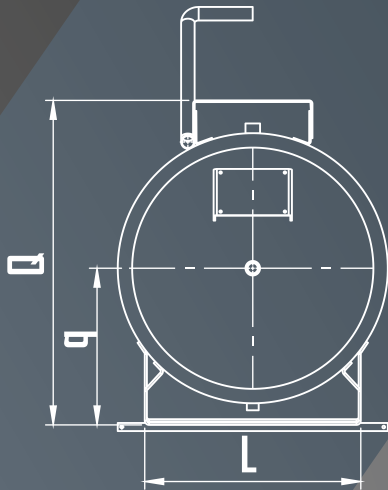


The Value Of Quality



Horizontal Air Vessels

Material	Carbon Steel
Fluid Content	Compressed Air
	Tested pressure 16 bar
	Operating pressure 11 bar
	Electrostatic Painted



FROM MODEL 50 TO MODEL 1000 L

CODE	CAPACITY (L)	DIA (mm)	A (mm)	B (mm)	C (mm)	D (mm)	E (mm)	E' (mm)	F (mm)	G (mm)	H (mm)	q (mm)	L (mm)	NI (INCH)	N2 (INCH)	N3 (INCH)	N4 (INCH)	N5 (INCH)	WEIGHT (KG)	
SHP11050-VO1	50	300	50	130	---	600	80	50	470	130	829.8	373	179	300	1/2"	1/4"	1/2"	---	1/4"	24
SHP11100-VO1	100	370	50	130	750	800	100	120	580	50	1055.3	446.3	214	350	1/2"	1/4"	1/2"	1/2"	1/4"	36
SHP11200-VO1	200	450	100	220	1000	1100	100	130	870	75	1417.9	539.6	254	400	1/2"	1/4"	1/2"	1/2"	1/4"	55
SHP11300-VO1	300	500	150	290	1100	1250	130	176	944	75	1540.6	601	290	400	1/2"	1/4"	1/2"	1/2"	1/4"	72
SHP11500-VO1	500	600	150	300	1350	1500	190	190	1120	100	1895	754.4	402	608	1/2"	1/4"	1"	1/2"	3/8"	129
SHP11101K-VO1	1000	800	100	300	1550	1650	240	240	1220	100	2229.6	959.3	500	808	1"	1/4"	1"	1/2"	3/8"	248

Serop Comp updates its designs and products regularly to keep up with new technology without prior notice.



A4 Pieces No.116, 10th of Ramadan Al - Sharqiyah Governorate-Egypt



info@seropcomp.com



www.seropcomp.com



+2011 5198 8818
+02 554 412 125

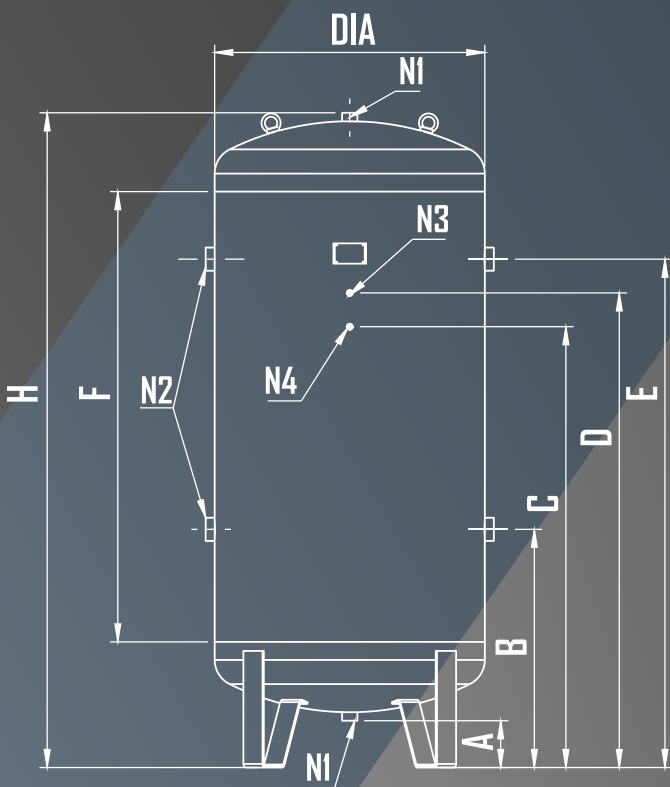


The Value Of Quality



Vertical Air Vessels

Material	Carbon Steel
Fluid Content	Compressed Air
	Tested pressure 16 bar
	Operating pressure 11 bar
	Electrostatic Painted



FROM MODEL 100 TO MODEL 3000 L

CODE	CAPACITY (L)	DIA (mm)	A (mm)	B (mm)	C (mm)	D (mm)	E (mm)	F (mm)	H (mm)	N1 (INCH)	N2 (INCH)	N3 (INCH)	N4 (INCH)	WEIGHT (KG)
SVPI100-VOI	100	370	128	455.5	725.5	805.5	906	800	1183.6	1/2"	3/4"	1/4"	1/4"	36.5
SVPI1200-VOI	200	450	128	543	998	1078	1193	1100	1544.6	1/2"	1"	1/4"	1/4"	55.5
SVPI1300-VOI	300	500	128.3	591	1121	1241	1341	1250	1703.74	1/2"	1"	1/4"	1/4"	72
SVPI1500-VOI	500	600	132.34	679	1309	1429	1579	1500	2025.6	1/2"	1"	1/4"	1/4"	128
SVPI101K-VOI	1000	800	185	949.6	1599.6	1749.6	1849.6	1650	2416.3	1"	2"	1/4"	1/2"	238
SVPI102K-VOI	2000	1000	245	1031	1881	2031	2181	1950	2817.2	2"	3"	1/2"	1/2"	427
SVPI103K-VOI	3000	1200	245	1031	1881	2031	2181	1950	2817.2	2"	3"	1/2"	1/2"	717

Available Upon Request: Inspection Ports, Handhole, Manholes, and Horizontal Models

Serop Comp updates its designs and products regularly to keep up with new technology without prior notice.



A4 Pieces No.116, 10th of Ramadan
Al - Sharqiyah Governorate-Egypt



info@seropcomp.com



www.seropcomp.com



+2011 5198 8818
+02 554 412 125

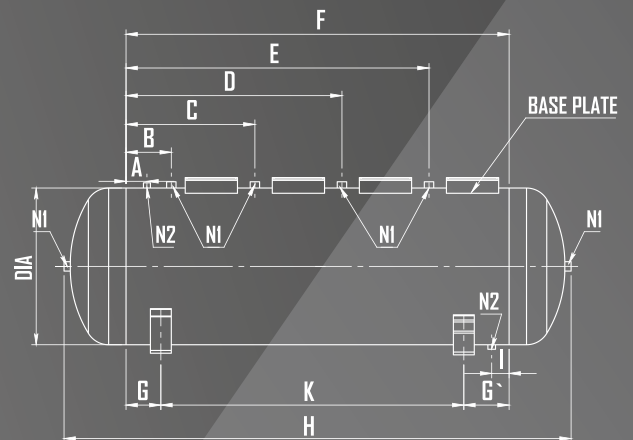
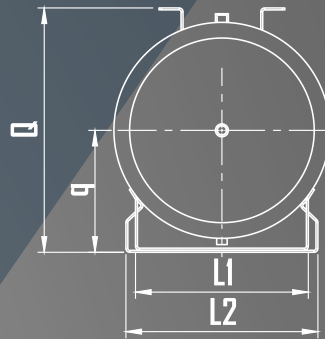
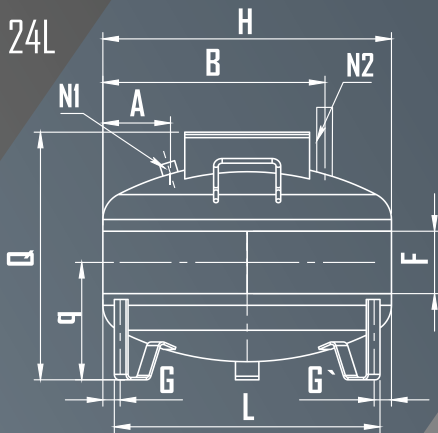


The Value Of Quality



OIL FREE AIR VESSELS

Material	Carbon Steel
Fluid Content	Compressed Air
	Tested pressure 16 bar
	Operating pressure 11 bar
	Electrostatic Painted



FROM MODEL 24 TO MODEL 200

CODE	CAPACITY (L)	DIA (mm)	A (mm)	B (mm)	C (mm)	D (mm)	E (mm)	F (mm)	G (mm)	G' (mm)	K (mm)	I (mm)	H (mm)	q (mm)	L1 (mm)	L2 (mm)	NI (INCH)	N2 (INCH)	WEIGHT (KG)
SHP11024-V02	24	370	85	285	---	---	---	80	22	22	---	---	370	317.5	150.5	340.63	340.63	NPS 1/4"	11
SHP11050-V02	50	300	30	100	350	---	---	600	110	110	380	50	824.7	350.5	350.5	258	258	1/2" 1/4"	23
SHP11100-V02	100	370	30	80	320	570	---	800	130	160	510	80	1055.3	418	213	288	348	1/2" 1/4"	33
SHP11200-V02	200	450	60	130	370	620	870	1100	100	130	870	50	1456	509	254	360	400	1/2" 1/4"	55.6

Serop Comp updates its designs and products regularly to keep up with new technology without prior notice.



A4 Pieces No.116, 10th of Ramadan Al - Sharqiyah Governorate-Egypt



info@seropcomp.com



www.seropcomp.com



+2011 5198 8818
+02 554 412 125



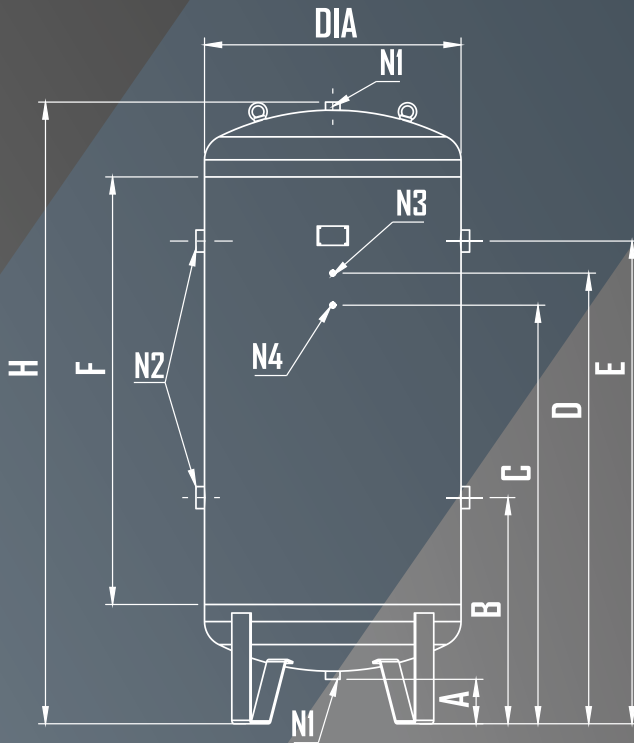
The Value Of Quality



Medium & High Pressure Vertical Air Vessels (16 - 24 - 32 - 42) BARS

Material	Carbon Steel
Fluid Content	Compressed Air
	Tested at 1.5 X Working pressure
	Operating pressure 16 - 24 - 32 - 42
	Electrostatic Painted

Custom tank designs available with galvanized or epoxy, in addition to standard electrostatic painting.



FROM MODEL 500 TO MODEL 3000 L

CODE	CAPACITY (L)	DIA (mm)	A (mm)	B (mm)	C (mm)	D (mm)	E (mm)	F (mm)	H (mm)	N1 (INCH)	N2 (INCH)	N3 (INCH)	N4 (INCH)	WEIGHT (KG)
SVPI6500-VOI	500	600	132.34	679	1309	1429	1579	1500	2025.6	1/2"	1"	1/4"	1/4"	155.5
SVPI601K-VOI	1000	800	186.5	900.6	1600.6	1750.6	1850.6	1650	2415.3	1"	2"	1/4"	1/2"	285.5
SVPI602K-VOI	2000	1000	256.8	1043	1893	2043	2193	1950	2829.2	2"	3"	1/2"	1/2"	561.3
SVPI603K-VOI	3000	1200	256.8	1043	1893	2043	2193	1950	2829.2	2"	3"	1/2"	1/2"	885.6

Available Upon Request: Inspection Ports, Handhole, Manholes, and Horizontal Models

Serop Comp updates its designs and products regularly to keep up with new technology without prior notice.



A4 Pieces No.116, 10th of Ramadan
Al - Sharqiyah Governorate-Egypt



info@seropcomp.com
www.seropcomp.com



+2011 5198 8818
+02 554 412 125

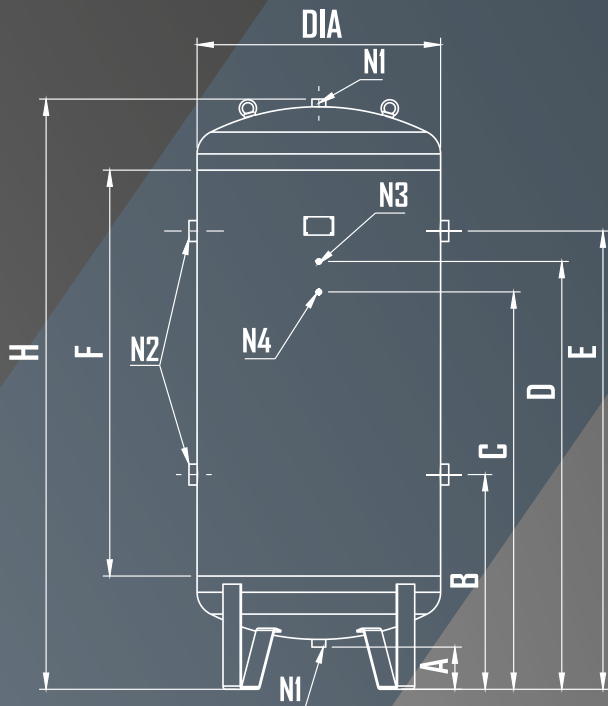


The Value Of Quality



Galvanized Vertical Air Vessels

Material	Carbon Steel
Fluid Content	Compressed Air
	Tested pressure 16bar
	Operating pressure 11bar
	GALVANIZED



FROM MODEL 100 TO MODEL 3000 L

CODE	CAPACITY (L)	DIA (mm)	A (mm)	B (mm)	C (mm)	D (mm)	E (mm)	F (mm)	H (mm)	N1 (INCH)	N2 (INCH)	N3 (INCH)	N4 (INCH)	WEIGHT (KG)
SVG1100-VO1	100	370	128.84	456.5	746.5	826.5	907	800	1184.2	2"	3/4"	1/4"	1/4"	37
SVG11200-VO1	200	450	138.4	514	969	1049	1164	1100	1489.6	2"	1"	1/4"	1/4"	56.5
SVG11300-VO1	300	500	152	599	1129	1249	1349	1250	1695.3	2"	1"	1/4"	1/4"	74
SVG11500-VO1	500	600	132.34	679	1309	1429	1579	1500	2025.6	2"	1"	1/4"	1/4"	130
SVG1101K-VO1	1000	800	185	890	1599.6	1749.6	1849.6	1650	2416.3	2"	2"	1/4"	1/2"	240
SVG1102K-VO1	2000	1000	245	1031	1881	2031	2181	1950	2817.2	2"	3"	1/2"	1/2"	430
SVG1103K-VO1	3000	1200	245	1031	1881	2031	2181	1950	2817.2	2"	3"	1/2"	1/2"	720

Available Upon Request: Inspection Ports, Handhole, Mainholes, and Horizontal Models

Serop Comp updates its designs and products regularly to keep up with new technology without prior notice.



A4 Pieces No.116, 10th of Ramadan Al - Sharqiyah Governorate-Egypt



info@seropcomp.com



www.seropcomp.com



+2011 5198 8818
+02 554 412 125

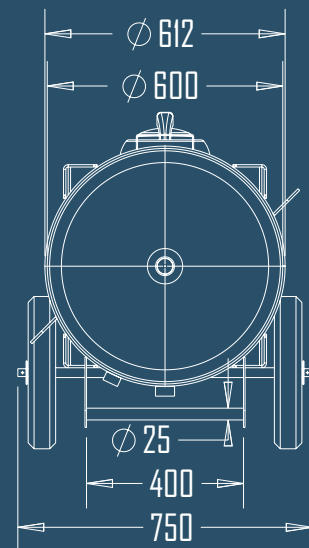
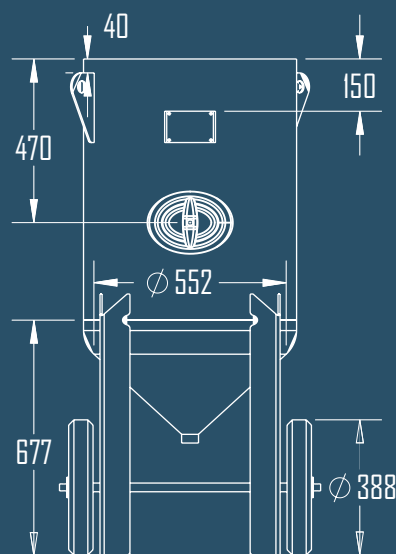
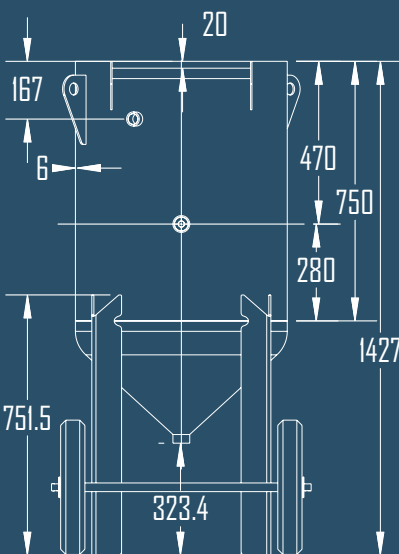
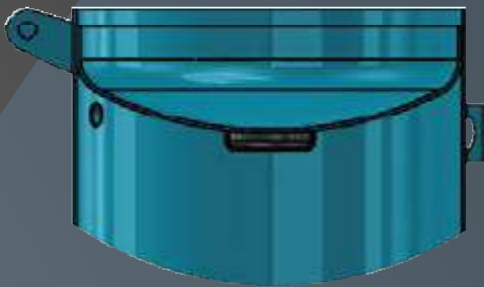


The Value Of Quality



SAND BLASTING 200L

CODE	BVP11200 - V02
CAPACITY	200 L
WEIGHT	155 KG
MATERIAL	CARBON STEEL
PAINTING	Electrostatic Painted



Serop Comp updates its designs and products regularly to keep up with new technology without prior notice.



A4 Pieces No.116, 10th of Ramadan
Al - Sharqiyah Governorate-Egypt



info@seropcomp.com



www.seropcomp.com



+2011 5198 8818
+02 554 412 125



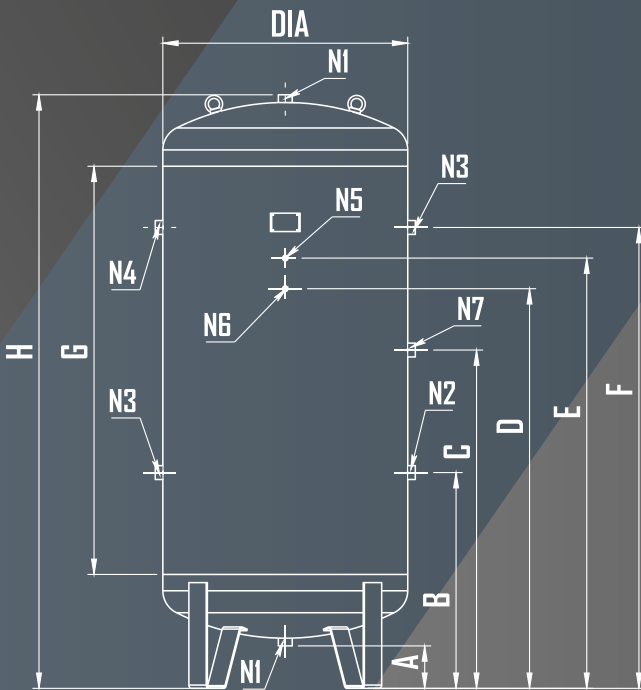
The Value Of Quality



VACUUM Vertical Air Vessels

Material	Carbon Steel
Fluid Content	Compressed Air
	Operating pressure -1bar
	Electrostatic Painted

Custom tank designs available with galvanized fittings for different pressures



FROM MODEL 100 TO MODEL 3000 L

CODE	CAPACITY (L)	DIA (mm)	A (mm)	B (mm)	C (mm)	D (mm)	E (mm)	F (mm)	G (mm)	H (mm)	N1 (INCH)	N2 (INCH)	N3 (INCH)	N4 (INCH)	N5 (INCH)	N6 (INCH)	N7 (INCH)	WEIGHT (KG)
CVP-1100_VO1	100	370	128.84	456.5	---	746.5	826.5	907	800	1184.2	2"	3/4"	---	3/4"	3/8"	3/8"	---	36.5
CVP-1270_VO1	270	500	118.75	516.5	---	766.5	866.5	916.5	750	1303.9	2"	1"	1"	---	3/8"	---	---	69.4
CVP-1500_VO1	500	600	132.37	546.6	---	1309	1429	1579	1500	2025.6	2"	2"	2"	2"	3/8"	---	---	128
CVP-101K_VO1	1000	800	185.5	949.6	---	1599.6	1749.6	1849.6	1650	2416.3	2"	2"	2"	2"	3/8"	3/8"	---	238
CVP-102K_VO1	2000	1000	245	1031	---	1881	2031	2181	1950	2817.2	2"	2"	2"	2"	1/2"	1/2"	---	427
CVP-103K_VO1	3000	1200	245	1031	1657.5	1881	2031	2181	1950	2817.2	2"	2"	2"	2"	1/2"	1/2"	2"	717

Available Upon Request: Inspection Ports, Handhole, Manholes, and Horizontal Models

Serop Comp updates its designs and products regularly to keep up with new technology without prior notice.



A4 Pieces No.116, 10th of Ramadan Al - Sharqiyah Governorate-Egypt



info@seropcomp.com



www.seropcomp.com



+2011 5198 8818
+02 554 412 125

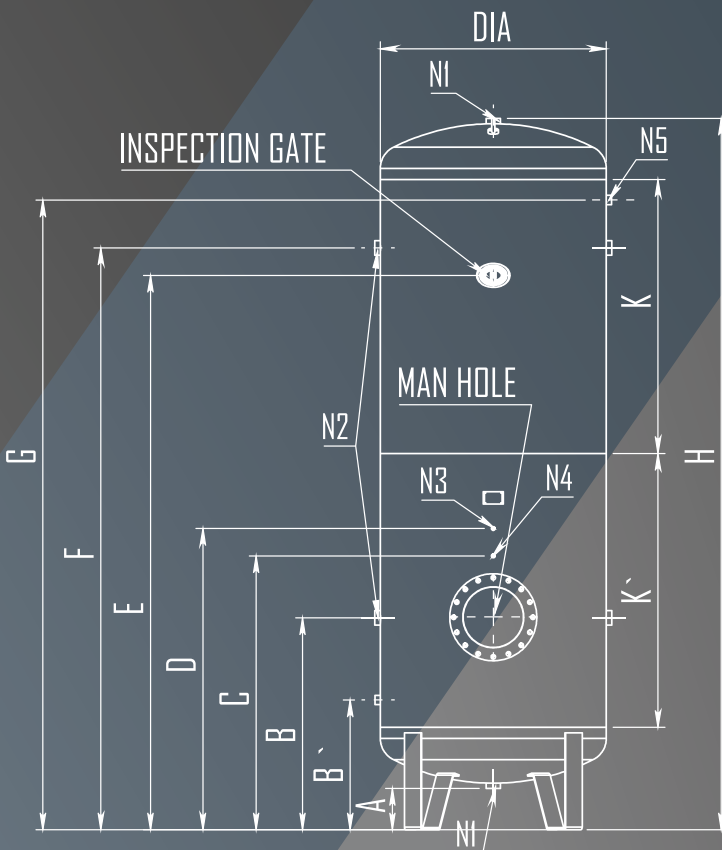


The Value Of Quality



Over Size Vertical Air Vessels

Material	Carbon Steel
Fluid Content	Compressed Air
	Tested pressure 16 bar
	Operating pressure 11 bar
	EPOXY PAINTING & GALVANIZED



FROM MODEL 4000 TO MODEL 10000 L

CODE	CAPACITY (L)	DIA (mm)	A (mm)	B (mm)	B' (mm)	C (mm)	D (mm)	E (mm)	F (mm)	G (mm)	K (INCH)	K' (INCH)	H (mm)	N1 (INCH)	N2 (INCH)	N3 (INCH)	N4 (INCH)	N5 (INCH)	WEIGHT (KG)
SVG1104K-VD2	4000	1450	202.1	1032.5	—	1852.5	2032.5	2332.5	2232.5	—	2000	—	3064	2"	3"	1/2"	1/2"	—	1216
SVG1105K-VD1	5000	1650	302.24	1235	—	1955	2135	2385	2335	—	2000	—	3168.76	2"	3"	1/2"	1/2"	—	1410
SVG1108K-VD1	8000	1650	299.6	1335	—	3035	3235	3535	3435	—	1650	1650	4470.95	2"	3"	1/2"	1/2"	—	1960
SVG1110K-VD1	10000	1650	299.6	1546	948	2000	2200	4046	4246	4598	2000	2000	5192.39	3"	3"	1/2"	1/2"	2"	2585

UPON REQUEST : INSPECTION PORTS - HANDHOLE - MANHOLE - HORIZONTAL MODEL - FLANGE

Serop Comp updates its designs and products regularly to keep up with new technology without prior notice.



A4 Pieces No.116, 10th of Ramadan
Al - Sharqiyah Governorate-Egypt



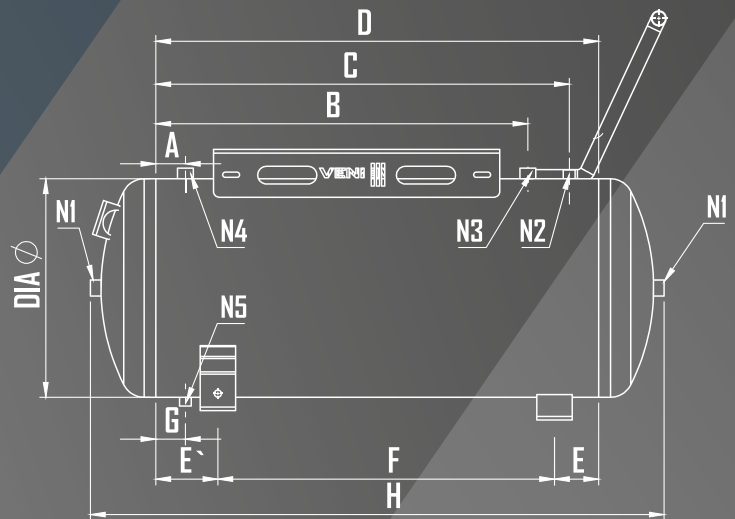
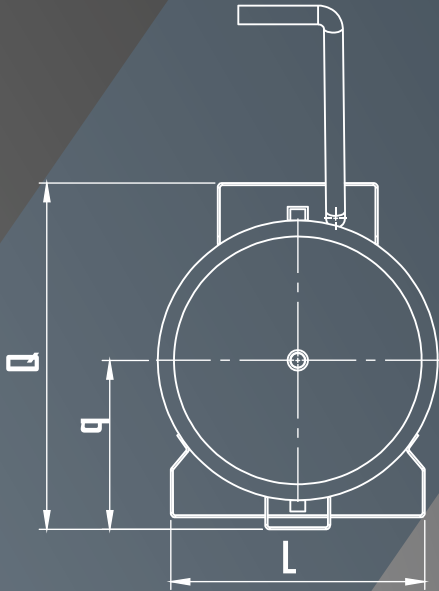
info@seropcomp.com
www.seropcomp.com



+2011 5198 8818
+02 554 412 125

VENI Horizontal Air Vessels

Material	Carbon Steel
Fluid Content	Compressed Air
	Tested pressure 12 bar
	Operating pressure 8 bar
	Electrostatic Painted



FROM MODEL 50 TO MODEL 500 L

CODE	CAPACITY (L)	DIA (mm)	A (mm)	B (mm)	C (mm)	D (mm)	E (mm)	E' (mm)	F (mm)	G (mm)	H (mm)	q (mm)	L (mm)	NI (INCH)	N2 (INCH)	N3 (INCH)	N4 (INCH)	N5 (INCH)	WEIGHT (KG)	
VHP08050-VD1	50	300	—	390	450	500	50	60	390	130	718	381	191	290	1/2"	1/4"	1/2"	—	1/4"	18
VHP08100-VD1	100	370	50	630	700	750	105	75	570	50	972	458	223.6	336	1/2"	1/4"	1/2"	1/2"	1/4"	25
VHP08200-VD1	200	450	70	750	825	900	130	120	650	50	1154	539	260	408	1/2"	1/4"	1/2"	1/2"	1/4"	40
VHP08300-VD1	300	500	100	820	900	1000	130	110	760	50	1293	588	279.57	398	1/2"	1/4"	1/2"	1/2"	1/4"	51
VHP08500-VD1	500	600	100	1000	1150	1250	125	125	1000	100	1651	745.5	403.6	605	1/2"	1/4"	1"	1/2"	3/8"	94

Serop Comp updates its designs and products regularly to keep up with new technology without prior notice.



A4 Pieces No.116, 10th of Ramadan
Al - Sharqiyah Governorate-Egypt



info@seropcomp.com



www.seropcomp.com



+2011 5198 8818
+02 554 412 125