



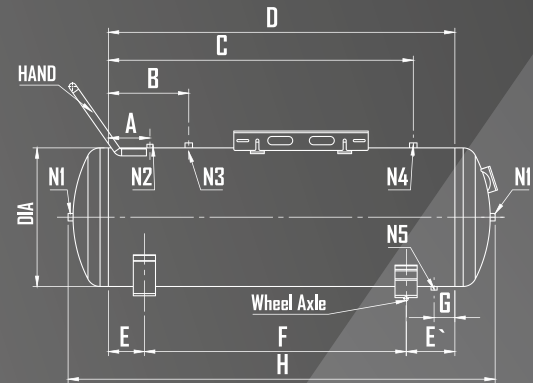
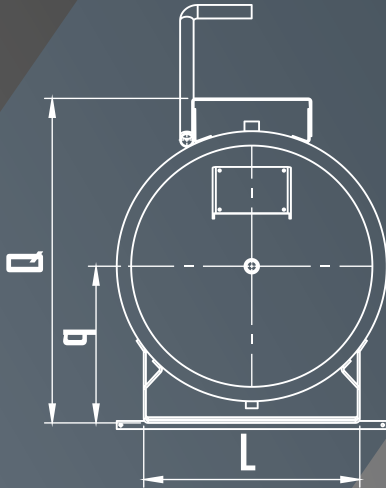
The Value Of Quality



EUR€ Price List Horizontal Air Vessels



Material	Carbon Steel
Fluid Content	Compressed Air
	Tested pressure 16 bar
	Operating pressure 11 bar



ITEM	50 L/H	100 L/H	150 L/H	200 L/H	270 L/H	300 L/H	500 L/H	1000 L/H
OPERATING PRESSURE	11	11	11	11	11	11	11	11
TEST PRESSURE	16	16	16	16	16	16	16	16
THICKNESS	3/3 MM	3/3 MM	3/3 MM	3/3 MM	3/3 MM	4/3 MM	4/4 MM	5/5 MM
Electrostatic Price EUR€	60 €	82 €	104 €	131 €	138 €	169 €	269 €	480 €
Galvanized Price EUR€	75 €	102 €	130 €	163 €	173 €	211 €	336 €	600 €



A4 Pieces No.116, 10th of Ramadan
Al - Sharqiyah Governorate-Egypt



www.seropcomp.com
info@seropcomp.com



+2011 5198 8818
+02 554 412 125

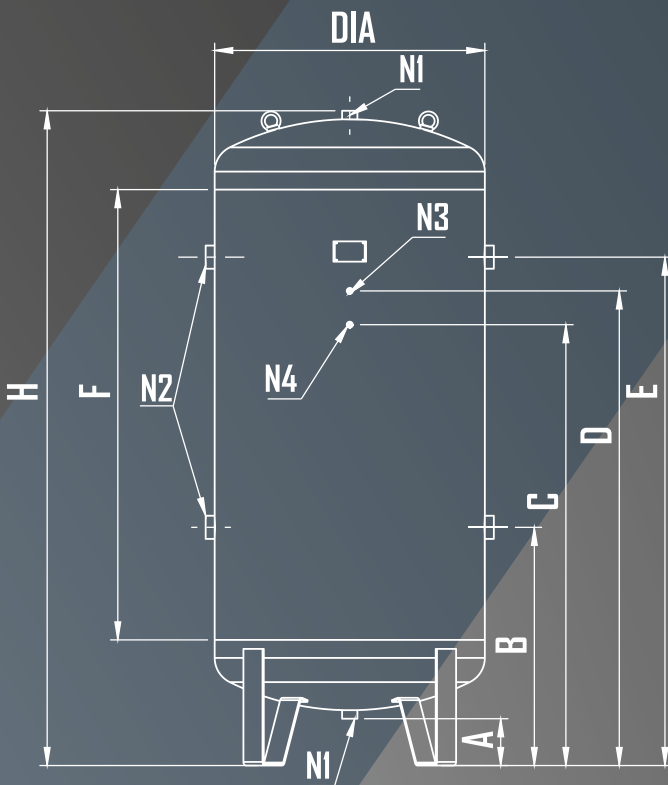


The Value Of Quality



EUR€ Price List Vertical Air Vessels

Material	Carbon Steel
Fluid Content	Compressed Air
	Tested pressure 16 bar
	Operating pressure 11 bar



ITEM	100 L/V	200 L/V	270 L/V	300 L/V	500 L/V	750 L/V	900 L/V	1000 L/V	1500 L/V	2000 L/V	3000 L/V
OPERATING PRESSURE	11	11	11	11	11	11	11	11	11	11	11
TEST PRESSURE	16	16	16	16	16	16	16	16	16	16	16
THICKNESS	3/3 MM	3/3 MM	4/3 MM	4/3 MM	4/4 MM	5/4 MM	5/4 MM	5/5 MM	6/5 MM	6/6 MM	8/8 MM
Electrostatic Price EUR€	95 €	151 €	162 €	181 €	284 €	373 €	378 €	507 €	726 €	945 €	1546 €
Galvanized Price EUR€	119 €	188 €	202 €	226 €	367 €	466 €	473 €	634 €	907 €	1180 €	1932 €



A4 Pieces No.116, 10th of Ramadan Al - Sharqiyah Governorate-Egypt



www.seropcomp.com
info@seropcomp.com



+2011 5198 8818
+02 554 412 125